

ASSEMBLY INSTRUCTIONS

1 - Carefully remove cutter blade from cardboard cover - retain cover for future use.

2 - Carefully remove protective film from cutter blade.

3 - Screw the foot boards and cutter blade together as shown.

Please note - the nuts supplied have nylon inserts to prevent them loosening in operation. To use these effectively, tighten until the thread of the bolt protrudes through the nylon insert and then continue to tighten until fully secured. These nuts are designed not to come loose, and should not be re-used.

4 - Assemble the pole and attach the brackets to the pole and foot.

Contents:

2 x pole sections

2 x foot board sections

1 x cutting blade

2 x bracket components

2 x pole plugs

1 x bolt A

2 x bolt B

2 x bolt C

5 x nylon locking nuts

10 x washer

1 x cardboard cutting blade cover

WARNING

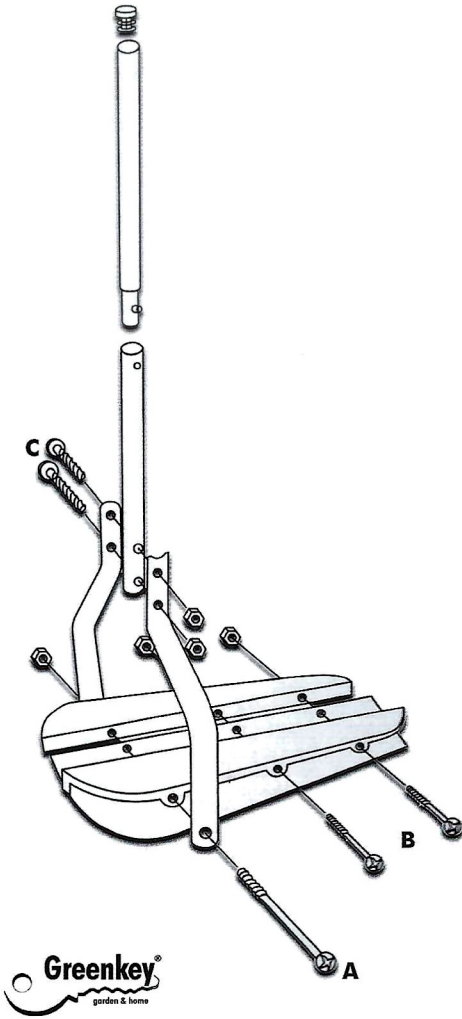
This tool has a very sharp blade and must be stored safely away from children. Please retain the cardboard cover and place over the blade when not in use.

Greenkey Garden & Home Limited

Unit 161, Lydney Harbour Industrial Estate, Harbour Road, Lydney, Gloucestershire GL15 4EJ
Tel: 01594 560200 Fax: 01594 560222

Email: info@greenkey-garden.co.uk

www.greenkey-garden.co.uk



Greenkey
garden & home